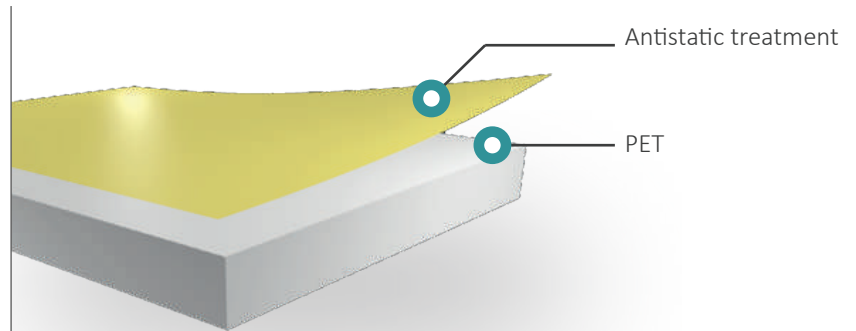


Lumirror.45.32

Application

- Stationary
- Graphic arts
- Textile transfer



VERY CLEAR MICROROUGH PET FILM WITH ONE SIDE ANTISTATIC

Benefits

- Antistatic properties with anti-dust effect on both sides
- High dimensional stability
- Excellent flatness
- Good machinability due to micro-roughness on both sides

Typical Values *(These values do not constitute binding specifications)*

Properties	Test Method	Unit	71 µm	96 µm	125 µm	175 µm
YIELD						
Unit Weight		g/m ²	99.4	134.4	175	245
Area Yield		m ² /kg	10.1	7.4	5.7	4.1
MECHANICAL						
Tensile Strength MD	ASTM D 882	daN/mm ²	21	20	20	20
Elongation at Break MD		%	138	140	147	158
THERMAL						
Shrinkage 150°C 30mn MD/TD	Internal Method	%	1.3/1.4	1.6/0.6	1.5/0.6	1.5/0.6
OPTICAL						
Total Light Transmission	ASTM D1003	%	89	89	89	89
Gardner Haze			1.1	1.7	1.5	1.5
SURFACE						
Roughness Ra	Internal Method	nm	7	9	8	7
Roughness Rz			203	264	240	216
Half time decay			1.5	2.1	1	1.1

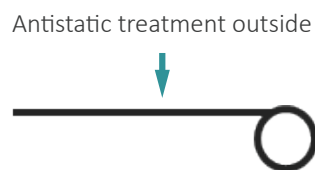
Regulation

Lumirror® 45.32 does **not** comply with European legal requirements of food contact applications due to its specific treatment. For Toray's certification concerning specific applications with each product, please refer to the 'Declaration of Compliance'.

Presentation of the rolls

Roll packaging: The rolls are suspended on standard paper core with internal diameter of 152.8mm. For all presentation, minimum roll width = 340mm and maximum roll width = 3400mm.

Returnable packaging: Wooden flanges, plastic flanges and pallets are returnable. The treated side is identified on the roll label.



Please contact us for...

- Any other presentation (width, length, core)
- Process for returnable packaging
- Any other information about typical values, measuring conditions, tolerances, deliveries...

Lumirror® is a registered trademark of Toray Films Europe SAS - TFE January 2018

DISCLAIMER: This leaflet is provided for informational purpose only and is not binding, nor can it constitute specifications to the buyer. The information contained in this document is based on numerous tests and trials we have carried out in our laboratories. Deviations from the results thus obtained can therefore be experienced depending on the actual conditions of use. This document does not provide any guarantee with regard to compliance of our product with the typical values indicated, nor does it provide any guarantee as the suitability of our products for any particular use.